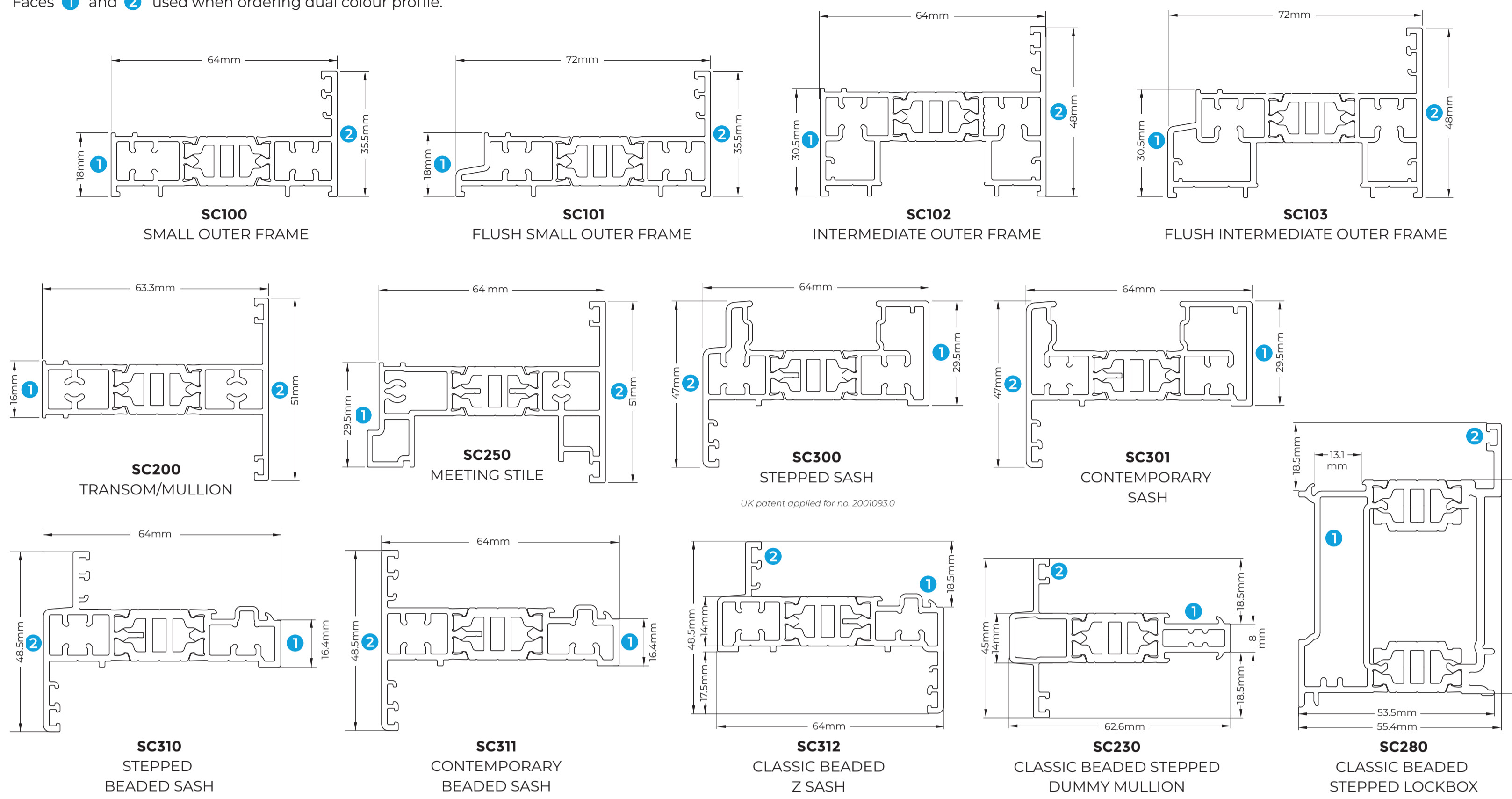
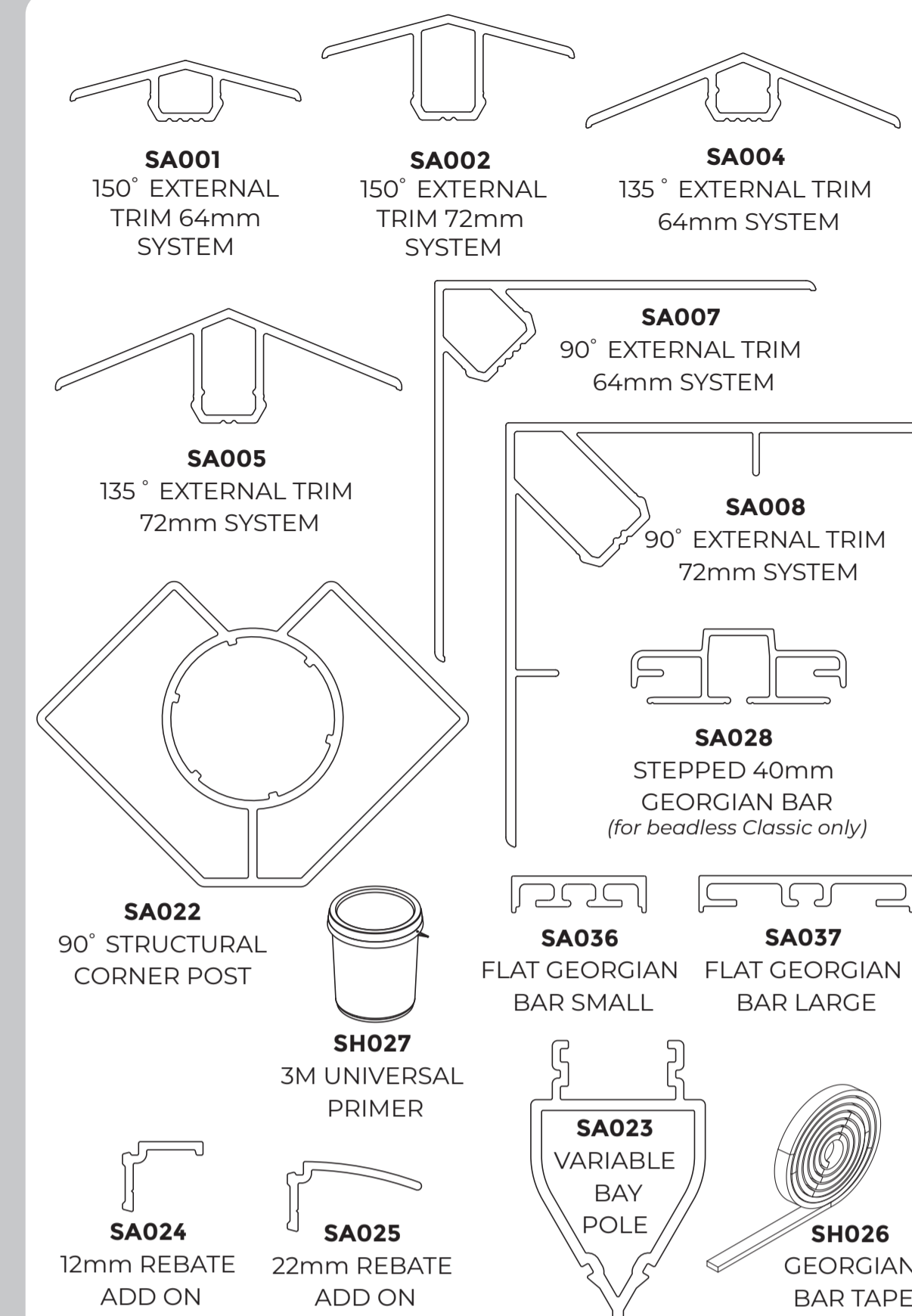


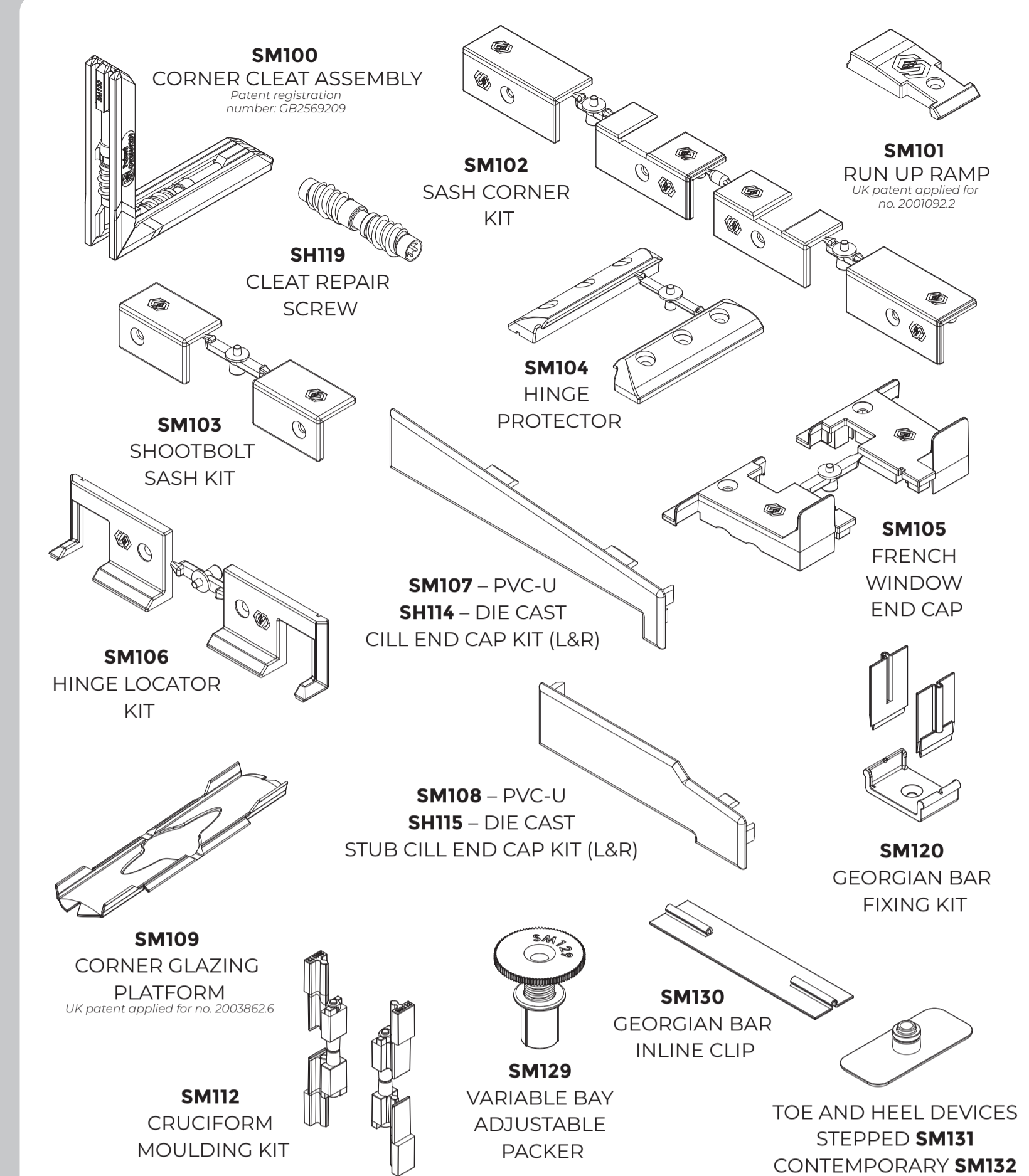
Faces 1 and 2 used when ordering dual colour profile.



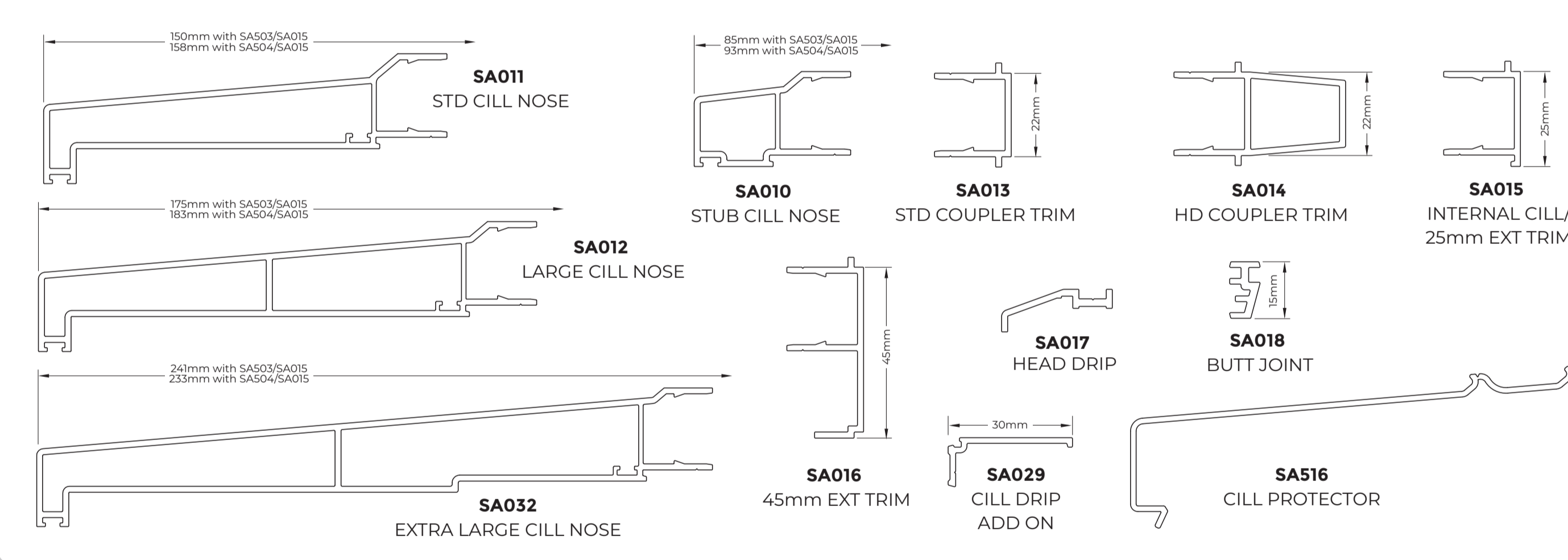
WINDOW & DOOR PROFILES



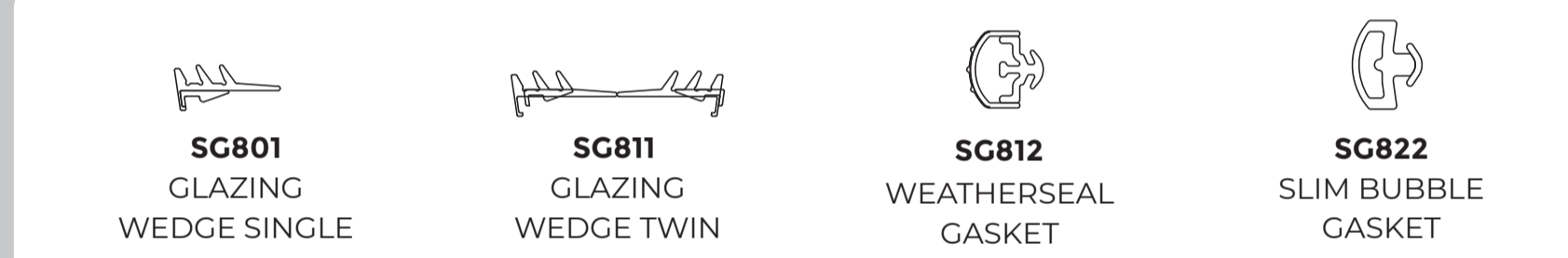
ALUMINIUM BAYS, CORNERS & TRIMS



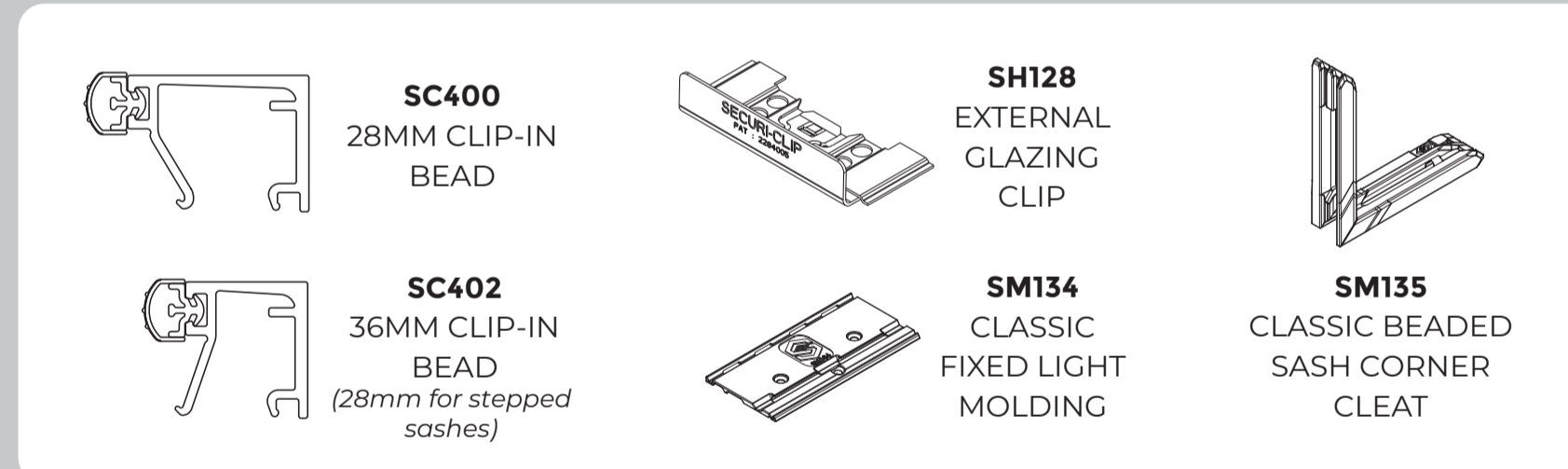
INJECTION MOULDINGS



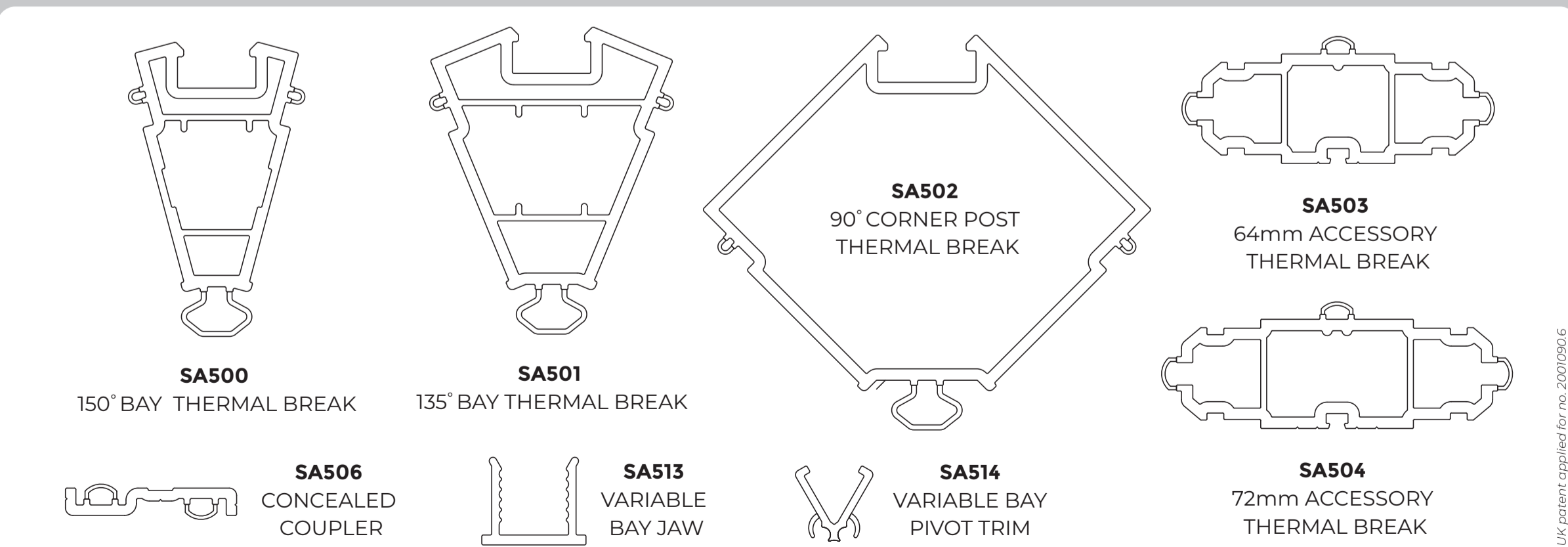
ALUMINIUM ACCESSORIES



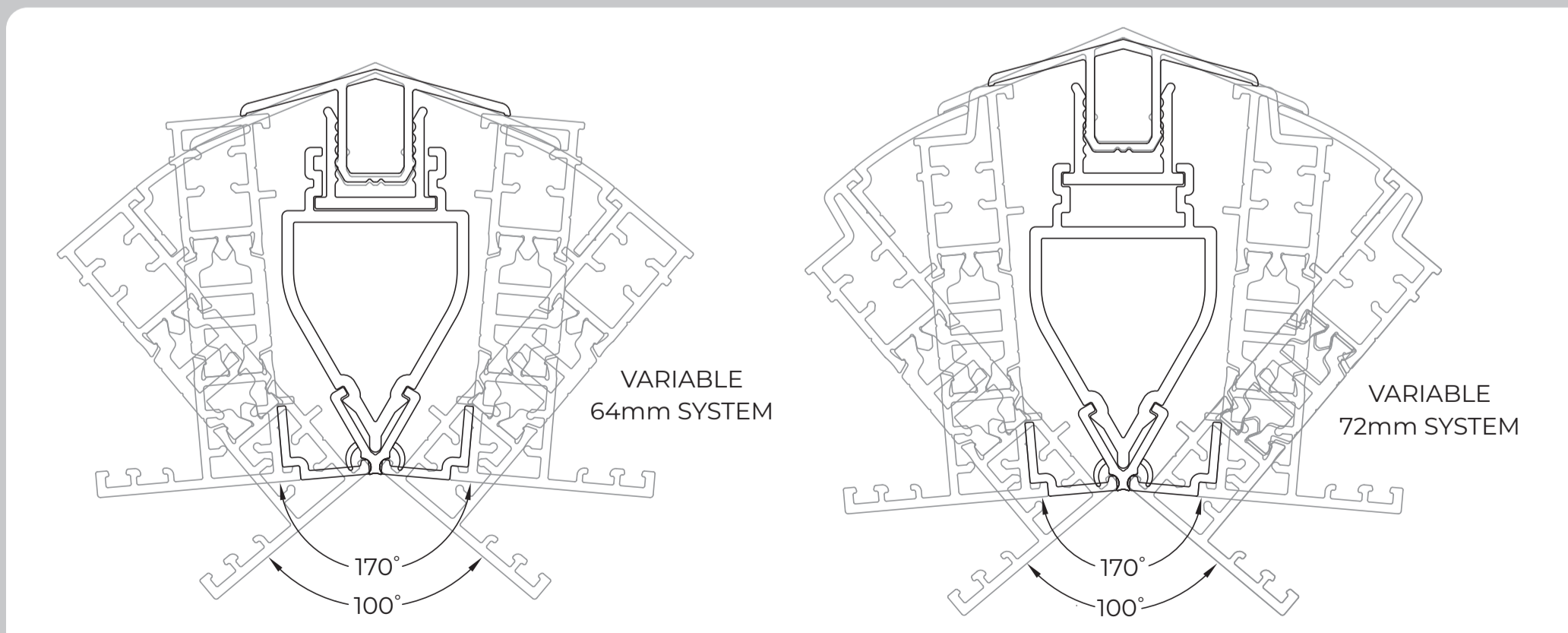
GASKETS



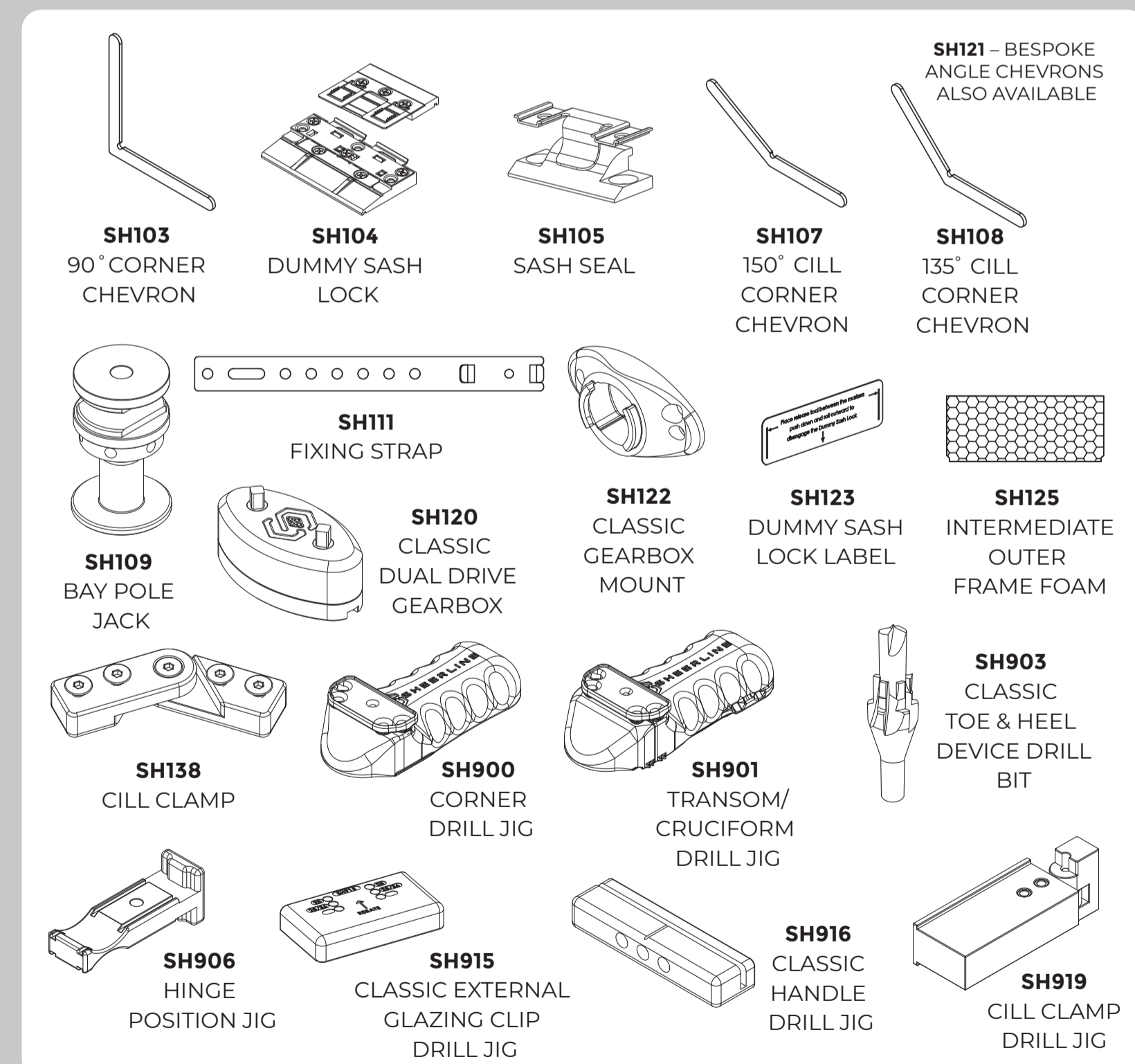
BEADED COMPONENTS



THERMAL BREAKS & PVC-U ACCESSORIES



TYPICAL STRUCTURAL BAY/CORNER ASSEMBLIES



JIGS & ANCILLARY ITEMS



Classic 64 and 72mm system

